



Logi**TowerLoader**

AUTOMATION  
SHEET  
METAL  
CUTTING AND STORAGE

Logi**TowerLoader**

[logitower.eu](http://logitower.eu)

AUTOMATION AND ROBOTISATION OF MANUFACTURING  
————— design and manufacturing —————

# Logi TowerLoader



LASER CUTTING MACHINE

CUT ELEMENTS

TRAY WITH METAL SHEETS

CUTTING MACHINE TABLE

## Benefits



TIME SAVING



PERFORMANCE



IT INTEGRATION



RELIABILITY



INDUSTRY 4.0



EFFICIENT LOGISTICS



ERGONOMY



SPACE SAVING

### LogiTowerLoader - automatic sheet metal loading and unloading system:

- Collecting sheets from a stack or storage system cassette
- Loading into the laser cutting machine
- Receipt of cut elements
- Delivery of parts to the storage buffer or picking point

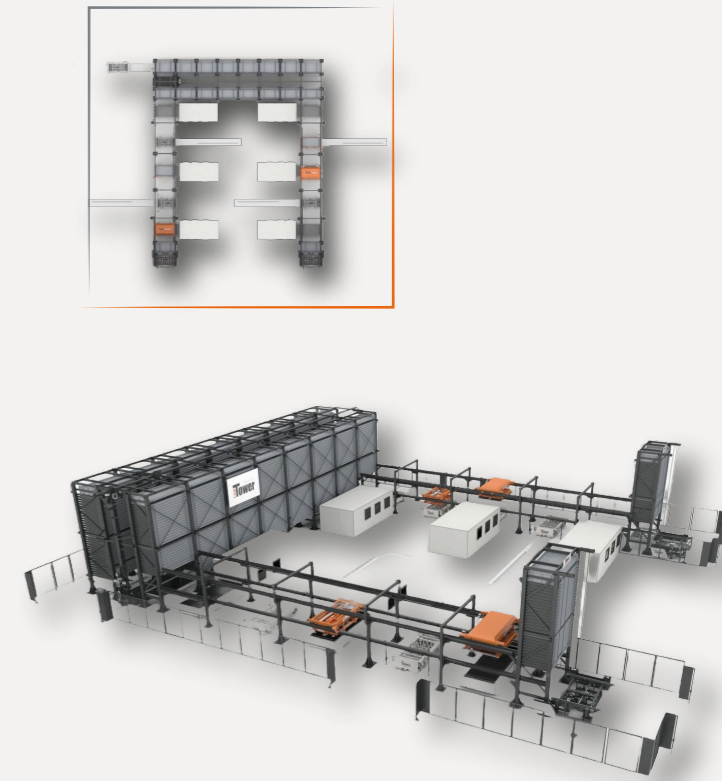
# Advanced

- **integrated solution for operating one laser cutting machine with a sheet metal warehouse** - takes up a small area, can be placed in a corner or against the wall of the hall
- **short material replacement cycle time**
- **system components:** two independently working platforms:
  - **loading platform - suction up module** (movement in the X and Y axes) with a **system for separating and measuring the thickness of individual metal sheets**, and delivering them to the laser cutting table. It also has the **functionality of a trolley transporting cut sheets**.
  - **unloading platform - double-sided gripper module** (movement in the Y axis) - picks up cut sheets (cut details and openwork) from the laser cutter and puts them on a transport trolley with a shelf located on the loading platform
- **possible upgrade to the Complex version** - adding movement in the X axis to the unloading platform
- **possible version without a storage tower** - putting the cut material on a pile or pallet and then collecting it with a forklift

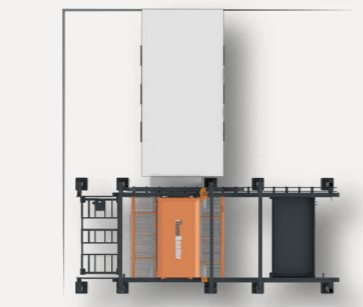
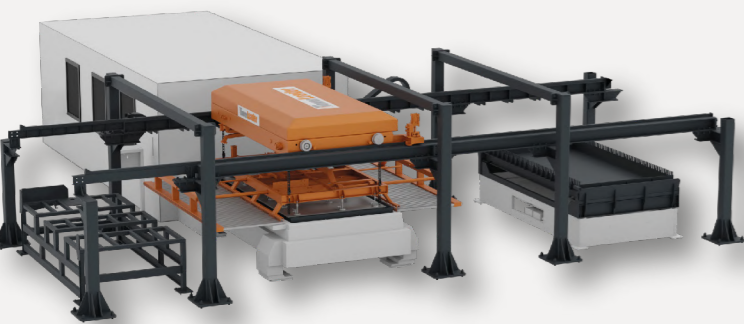


# Complex

- **a comprehensive system for operating multiple laser cutting machines** designed for manufacturing environments requiring high efficiency and high diversity
- **very short material replacement cycle time**
- **system elements:** two independently operating platforms (movement in the X and Y axes):
  - **loading platform - suction cup module with a system for controlling and measuring the thickness of individual metal sheets**, and delivering them to the laser cutting table. It also has the functionality of a trolley transporting cut sheets.
  - **unloading platform - double-sided gripper module** - picks up cut sheets (cut details and openwork) from the laser cutting machine and places them on a shelf in the LogiTower storage system or storage areas with a pallet, on AGV trolleys, tables or conveyors
- cooperation with LogiTower and MultiLogiTower storage systems in order to obtain large capacity

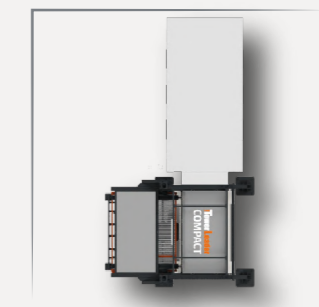


# Basic



- **block (modular) solution** - allows modification of the configuration as the needs change, including the number and settings of cutting machines
- **system dedicated** to work without a LogiTower storage tower
- **system elements: only one platform** equipped with two modules (a set of suction cups and double-sided grippers) responsible for **loading and unloading**. It has a **system for separating and measuring the thickness of individual sheets of metal**
- **application for fewer cycles**
- **economical** and structurally uncomplicated solution

# Compact



- **maximal use of space** - compact structure, vertical storage tower positioned above the laser cutting table
- **very short material exchange cycle time on the cutting table**
- **availability for various sizes of metal sheets**
- **system dedicated** to work with a single laser cutter and a standard tower for lower room heights
- **quick replacement** of shelves with a sheet metal and cut material - **possible** integration with laser cutting machines from various manufacturers

## Technical data

Type	Loader 3015	Loader 4020	Loader 6020
Metal sheet size (max)	3 x 1,5 m	4 x 2 m	6 x 2 m
Metal sheet weight	900 kg	1600 kg	2300 kg
Metal sheet thickness (max)	25 mm	25 mm	25 mm



### MATERIAL PROTECTION

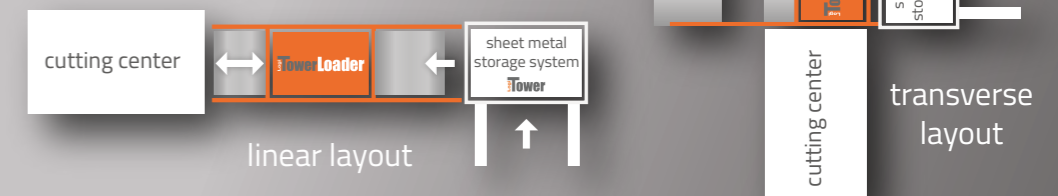
The grippers are covered with a material that reduces the risk of scratching the sheet metal



### METAL SHEETS SEPARATOR

Thin sheet separating system (magnetic/mechanical/air)

## Setting options





**Logi Tower**  
logitower.eu