

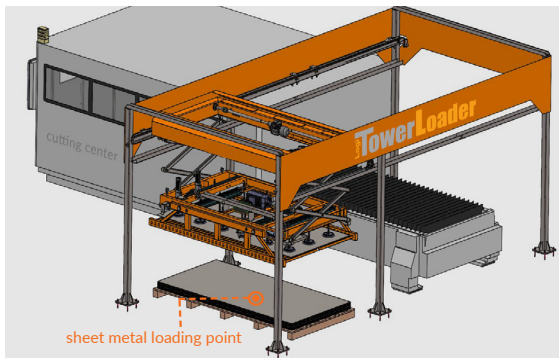
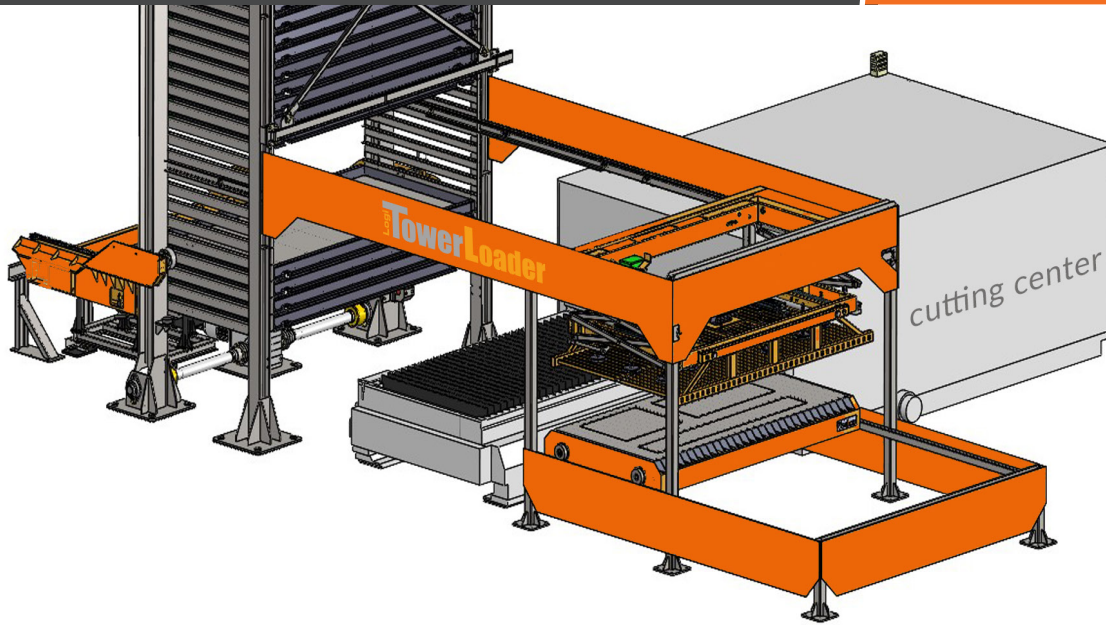
**AUTOMATIC  
SHEET METAL  
LOADING AND UNLOADING**

**Logi Tower Loader**

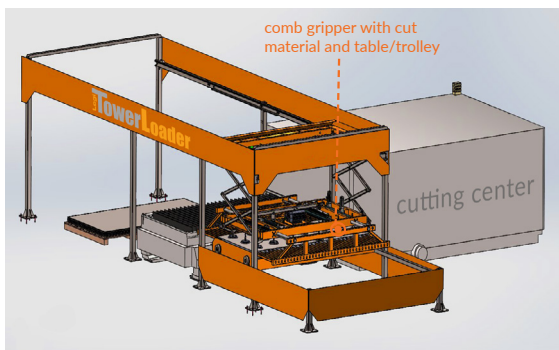
logitower.eu

**AUTOMATED STORAGE SYSTEMS**

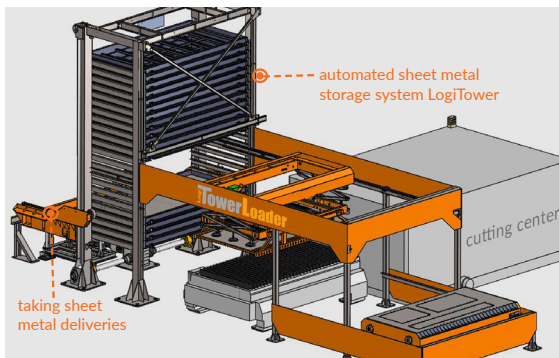
design & production



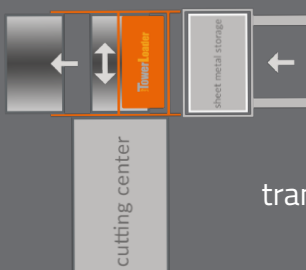
LogiTowerLoader v. U - upload  
automatic sheet metal feeding  
from the stack to the cutting center



LogiTowerLoader v. U&C - upload  
and collect  
automatic sheet metal loading as  
well as collecting materials cut in  
the processing center and putting  
them on the table/picking cart



LogiTowerLoader v. COMBI  
- store, upload & collect  
automated sheet metal storage,  
their loading as well as collecting  
materials cut in the processing  
center and putting them on the  
table/picking cart












## automated sheet metal storage

**Logi Tower**  
logitower.eu

**Logi Tower Loader**

**Logi Comb**

 [logitower.eu](http://logitower.eu)  
 [youtube.com/logitowereu](https://youtube.com/logitowereu)  
 [linkedin.com/company/logitowereu](https://linkedin.com/company/logitowereu)

 [info@logitower.eu](mailto:info@logitower.eu)  
 +48 12 29 28 100  
ul. Skrajna 3B, 31-331 Kraków